

**CHANGE/ERRATA INFORMATION**

**ISSUE NO: 2      2/91**

This change/errata contains information necessary to ensure the accuracy of the following manual. Enter the corrections in the manual if either one of the following conditions exist:

1. The revision letter stamped on the indicated PCB is equal to or higher than that given with each change.
2. No revision letter is indicated at the beginning of the change/errata.

**MANUAL**

Title:                    8026B  
Print Date:            June 1982  
Rev.- Date:

**C/E PAGE EFFECTIVITY**

| Page No. | Print Date |
|----------|------------|
| 1        | 6/85       |
| 2        | 6/85       |
| 3        | 2/91       |

## CHANGE #1 - 17675

On page 5-4, Table 5-1, make the following changes:

CHANGE: MP13| LENS, DISPLAY| 606848| 89536| 606848| 1  
 TO: MP13| LENS, DISPLAY| 650655| 89536| 650655| 1

ADD: MP21| BEZEL WINDOW| 682997| 89536| 682997| 1

On pages 4-4 and 5-5, Figures 4-2 and 5-1, make the changes as shown in Figure 1.

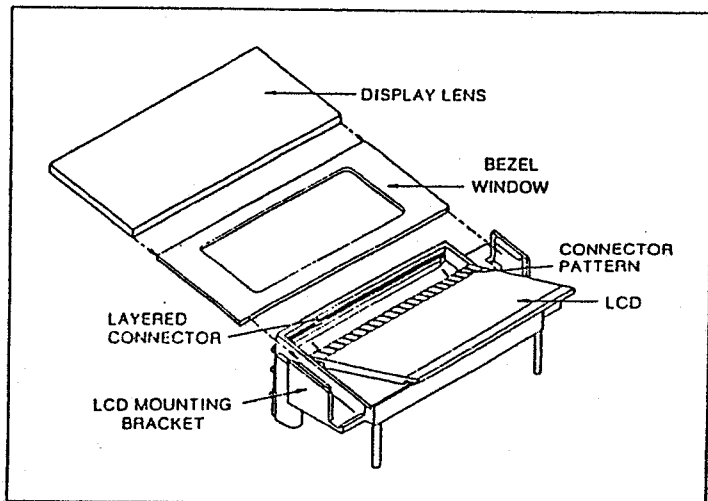


Figure 1.

## CHANGE #2 - 17712

Rev.- H, Main PCB Assembly (8026B-4001)

On page 5-8, Table 5-2,

CHANGE: VR3| DIODE, ZENER, 5.4VU NCOMPENSATED| 683730  
 | 89536| 683730| 1| 1  
 TO: VR3| DIODE, ZENER, 5.4V UNCOMPENSATED| 680504  
 | 22767| 27350 | 1| 1

## ERRATA #1 - 18085

On page 7-5, Figure 7-1, U3, change Pin 24,

FROM: E2

TO: E3

## CHANGE #3 - 18877

Final Assembly

On page 5-3, Table 5-1,

CHANGE: MP6 | CASE BOTTOM | 613950 | 89536 | 613950 | 1

TO: MP6 | CASE BOTTOM | 652727 | 89536 | 652727 | 1

## ERRATA #2

On page 7-5, Figure 7-1, change U2 as shown in Figure 2.

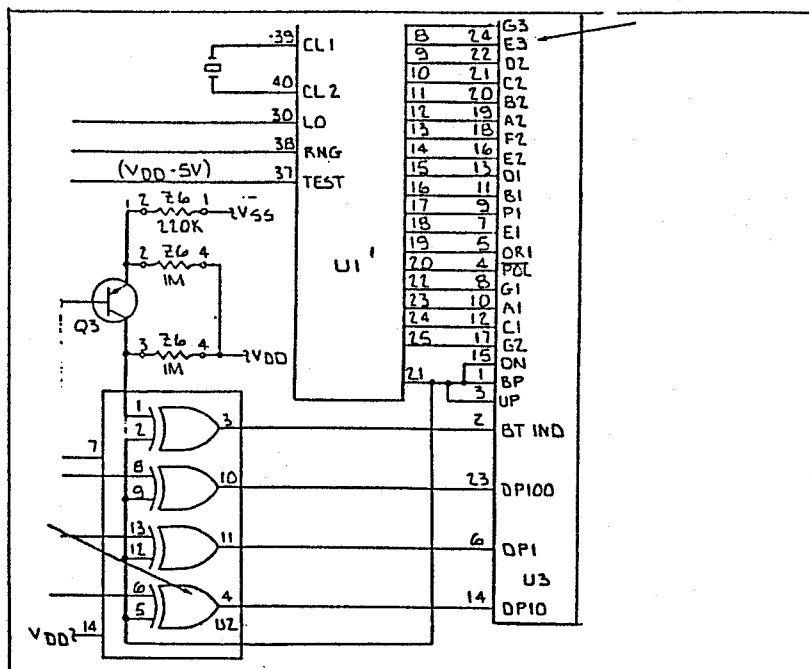


Figure 2.

## ERRATA #3

On page, 1-10, for DC CURRENT, change the BURDEN VOLTAGE specification,

FROM: 0.3V max.  
0.9V max.

TO: 0.3V typical  
0.9V typical

Under AC CURRENT,

CHANGE: 0.3V rms max  
0.9V rms max

TO: 0.3V rms typical  
0.9V rms typical

## ERRATA #4

On page 1-10, under AC CURRENT, ACCURACY\*,

CHANGE: +/- (3% rdg +2 d)  
TO: +/- (4% rdg +2 d)

## CHANGE #4 - 36289

On page 5-3, Table 5-1,

CHANGE: BT1|BATTERY, PRIMARY 9V|446823|83740|NEDA#1604|1  
TO: BT1|BATTERY, PRIMARY 9V|696534|59717|216 |1

## CHANGE #5 - 29472

On page 5-4, Table 5-1,

ADD: MP30|SUPPORT, INPUT DIVIDER|759821|89536|659821|1

## CHANGE #6 - 37318

Rev. -N, A1 Main PCB Assembly (8026B-4001)

On page 5-8, Table 5-2,

CHANGE: U4|IC, RMS, SELECTED|637801|89536|637801|1|1  
TO: U4|IC, RMS |845482|89536|845482|1|1